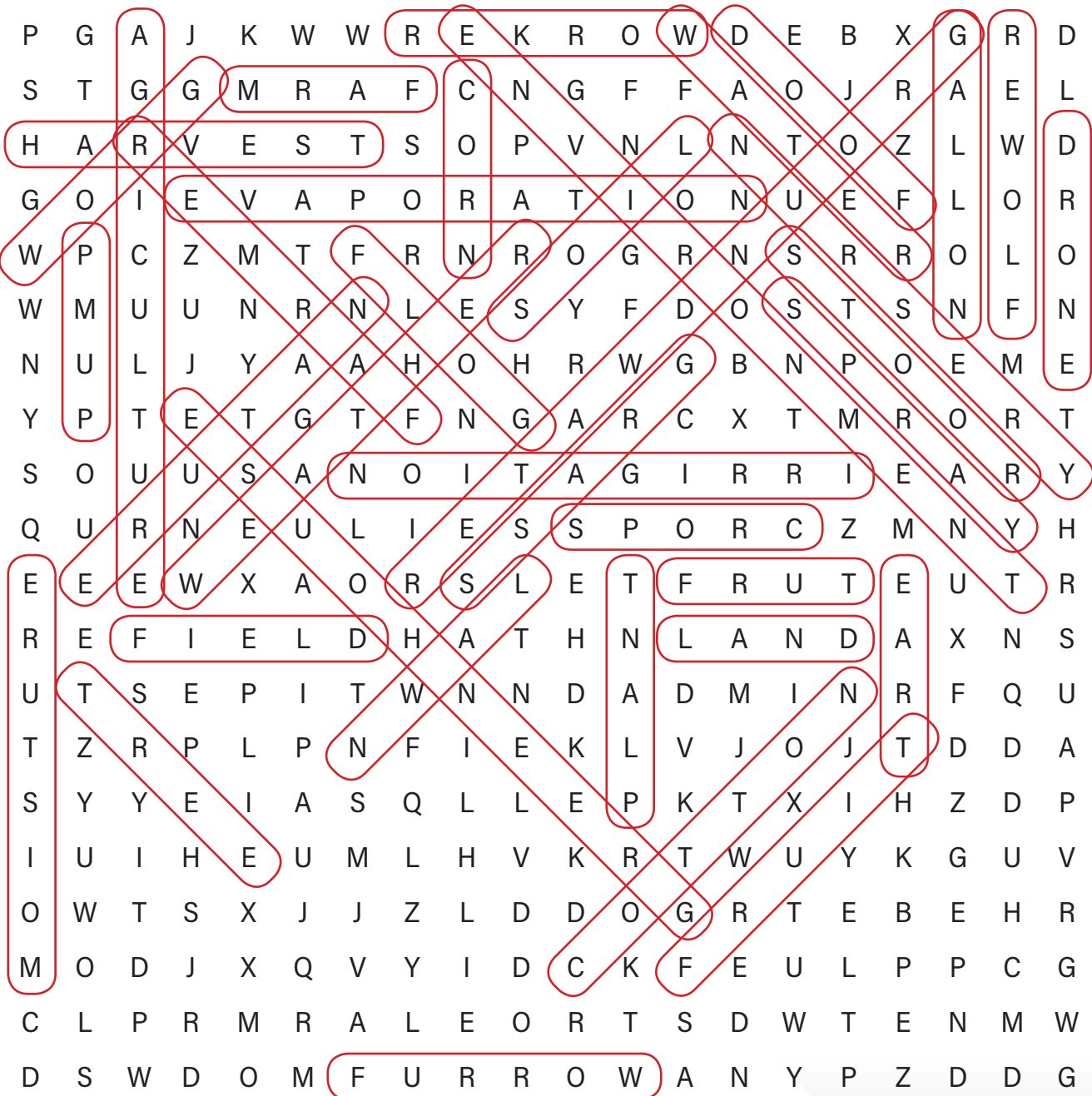


# Irrigation Word Search (Harder)

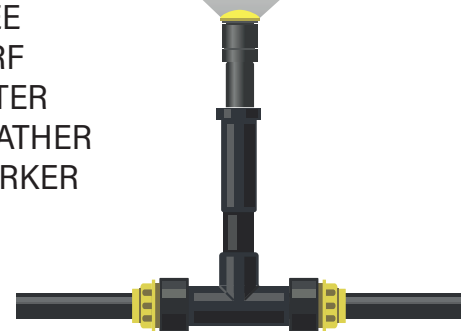


AGRICULTURE  
 CORN  
 COTTON  
 CROPS  
 DRONE  
 EARTH  
 ENVIRONMENT  
 EVAPORATION  
 FARM  
 FARMER

FIELD  
 FLOWER  
 FOOD  
 FRUIT  
 FURROW  
 GALLON  
 GOLF  
 GRASS  
 GREENHOUSE  
 GROUNDWATER

GROW  
 HARVEST  
 IRRIGATION  
 LAND  
 LAWN  
 MOISTURE  
 NATURE  
 NURSERY  
 PLANT  
 PUMP

ROOTS  
 SOIL  
 SPRAY  
 TREE  
 TURF  
 WATER  
 WEATHER  
 WORKER



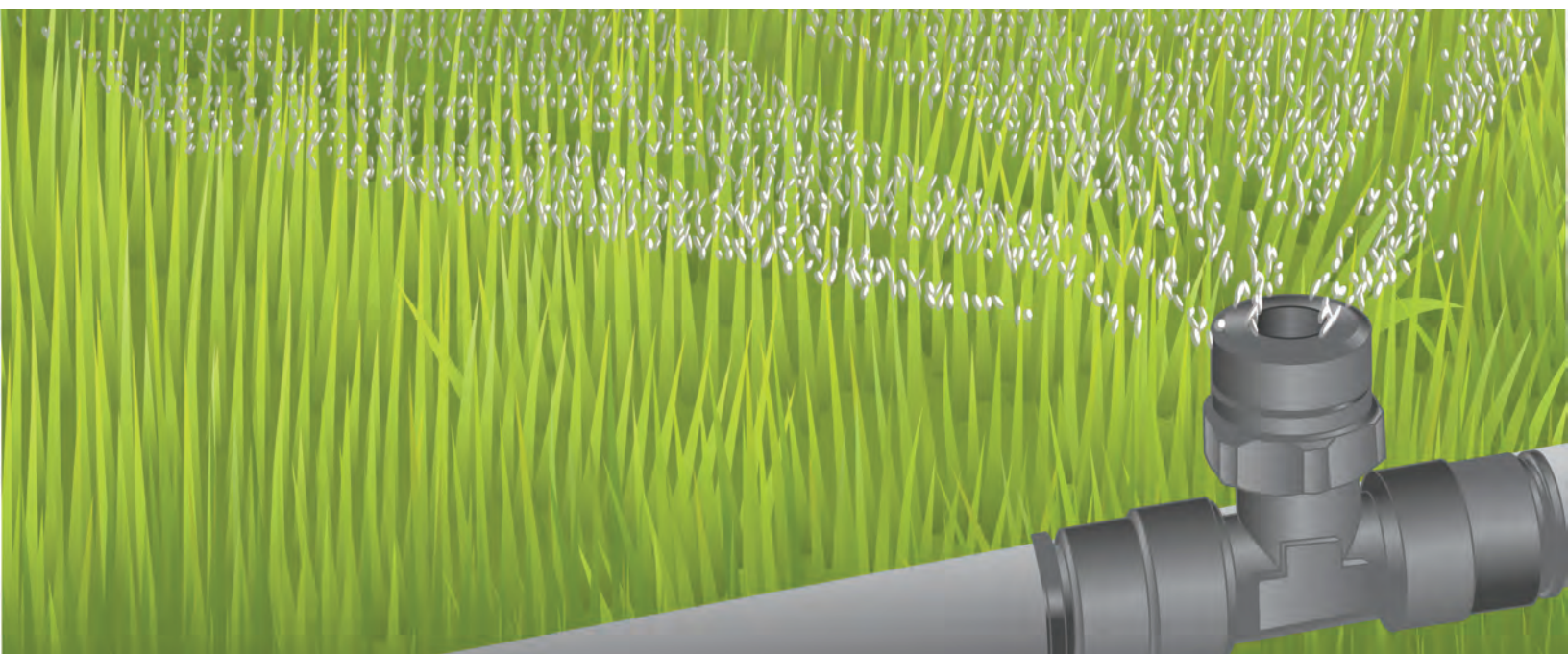
# Irrigation Word Search (Easier)



EARTH  
FARM  
FIELD  
FLOWER  
FOOD

FRUIT  
GRASS  
GROW  
IRRIGATION  
LAND

PLANT  
ROOTS  
SOIL  
WATER



# Irrigation Word Scramble

SRPELRIKN

SPRINKLER

---

PIEP

PIPE

---

ORROLCTNEL

CONTROLLER

---

PTVIO

PIVOT

---

IRD P

DRIP

---

OEHS

HOSE

---

SREONS

SENSOR

---

TIMETER

EMITTER

---

LZNZOE

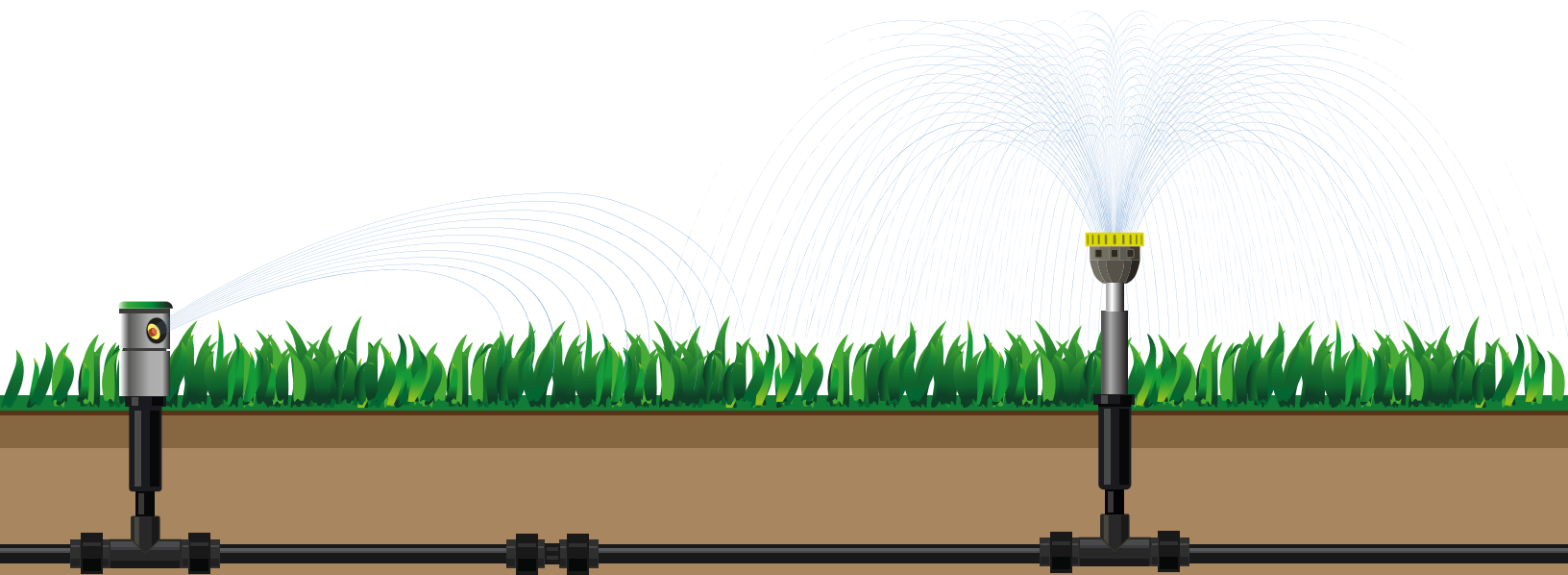
NOZZLE

---

RWEI

WIRE

---





# The Water Cycle Word Scramble

OULITMIBASN

SUBLIMATION

---

OMTLWNES

SNOWMELT

---

EIRRSV

RIVERS

---

UORFNF

RUNOFF

---

RSMAOLFTEW

STREAMFLOW

---

TONIINLRFTAI

INFILTRATION

---

EALSK

LAKES

---

EAEPEGS

SEEPAGE

---

HECERAGR

RECHARGE

---

HMERSTPOEA

ATMOSPHERE

---

NTATARPOIAEVONRIPS

EVAPOTRANSPIRATION

---

ASECON

OCEANS

---

UEOAGRRWNDT

GROUNDWATER

---

OTRNPIAOAEV

EVAPORATION

---

OSOEDTNNACIN

CONDENSATION

---

CVLCAOIN ESAMT

VOLCANIC STEAM

---